

## Cesar-Scott Switch Harness

For more information  
on **Cesar-Scott  
Switch Harnesses**,  
please contact us:

**Toll Free  
From USA**  
1-800-880-3212

*Switch Harnesses* are used to energize the electronic spark module at a given make and break angle. The high quality of our switch harness assembly guarantees a reliable and consistent operation.

Cesar-Scott switch harnesses can be quickly customized and configured to suit your application.

### Features

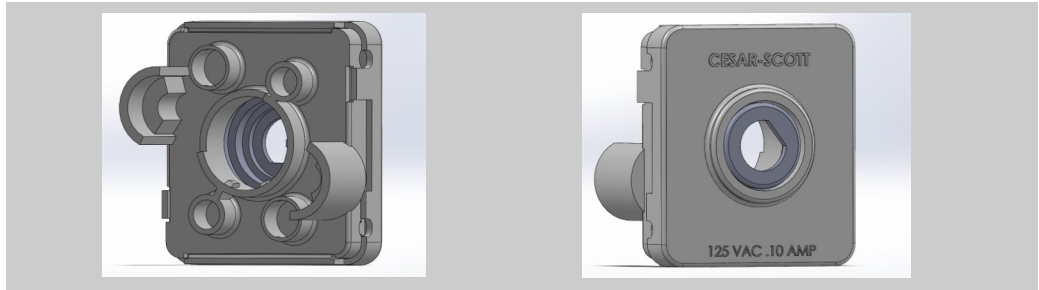
- 120 VAC input, 0.10 A maximum current
- AC and DC functionality
- 150 °C ambient rating
- Life cycle test 10,000 cycles minimum
- Snap on valve mounting
- Customizable to fit any valve
- Color coded rotors for easy identification
- Custom designed harnesses and color schemes
- Fits 20-22 AWG wire
- 100% factory tested
- RoHS compliant

**CESAR-SCOTT**

Cesar-Scott, Inc.  
4731 Ripley Drive Ste. B  
El Paso, TX 79922 USA

[www.cesar-scott.com](http://www.cesar-scott.com)

1-800-880-3212  
001-800-543-0934  
Phone: 915-543-3212  
Fax: 915-543-3213



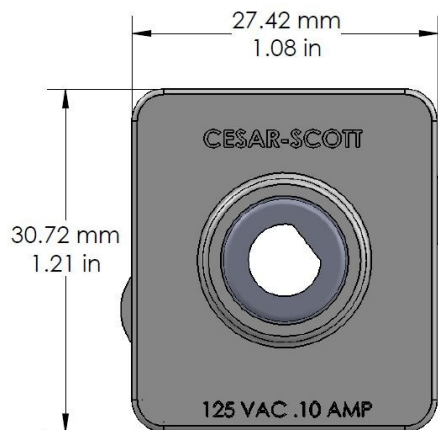
For more information  
on **Cesar Scott**  
*Switch Harnesses*,  
please contact us:

**Toll Free**  
**From USA**  
1-800-880-3212

## Switch Highlights

- Snap-on construction for best contact
- Available in a variety of make and break positions
- Switch mounting can be retrofitted to fit any commercially available gas valve
- Switch dimensions: 1.21" L X 1.08" W

### Standard Switch Mount



Front View

**CESAR-SCOTT**

Cesar-Scott, Inc.  
4731 Ripley Drive Ste. B  
El Paso, TX 79922 USA

[www.cesar-scott.com](http://www.cesar-scott.com)

1-800-880-3212  
001-800-543-0934  
Phone: 915-543-3212  
Fax: 915-543-3213